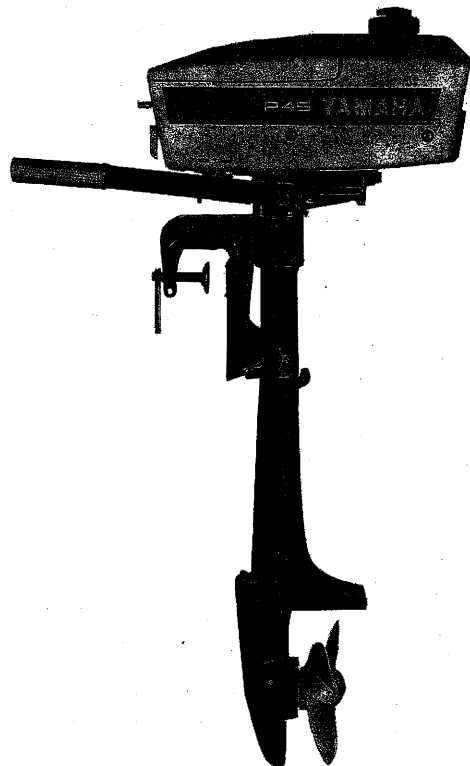


YAMAHA OUTBOARD MOTOR

MODEL P-45



646-10

Instructions on Parts List

YAMAHA P-45

1. DIMENSIONS: All dimensions are given in millimeters with the exception of steel balls which are given in inches.

2. KEY TO SYMBOLS

- R.H Right hand side (Viewed from the rider's seat facing forward)
- L.H Left hand side (Viewed from the rider's seat facing forward)
- S.R Suggested retail price
- U.R Use size (thickness) and/or numbers as required
- ☆ Government inspected parts
- △ Not supplied as a single part
- S Indicates "S" shaped circlip
- E Indicates "E" shaped circlip
- R Indicates "R" shaped circlip
- T Number of teeth in a gear
- V Voltage for light bulbs
- W Wattage for light bulbs
- L Length
- S "S" type oil seal
- SD "SD" type oil seal
- SO "SO" type oil seal
- SW "SW" type oil seal

3. COMPONENT PARTS: Component parts of an assembly are preceded by a dot (.) as follows:

- KICK CRANK ASS'Y
 - . WASHER, spring)
 - . LEVER, kick) Component parts
 - . PIN)

Component parts which are mounted on either side of the m/c. are listed in the following sequence:

3a).- Parts to be mounted on "LEFT SIDE" are listed first.-

3b).- Parts to be mounted on "RIGHT SIDE" are listed second.-

3c).- Parts which can be mounted on "EITHER SIDE" are listed next to the above parts.-

You are requested to be very careful, when ordering, not to make a mistake in stating the part numbers, since only a single wrong figure will entirely change the contents and will cause you to receive quite a different part.

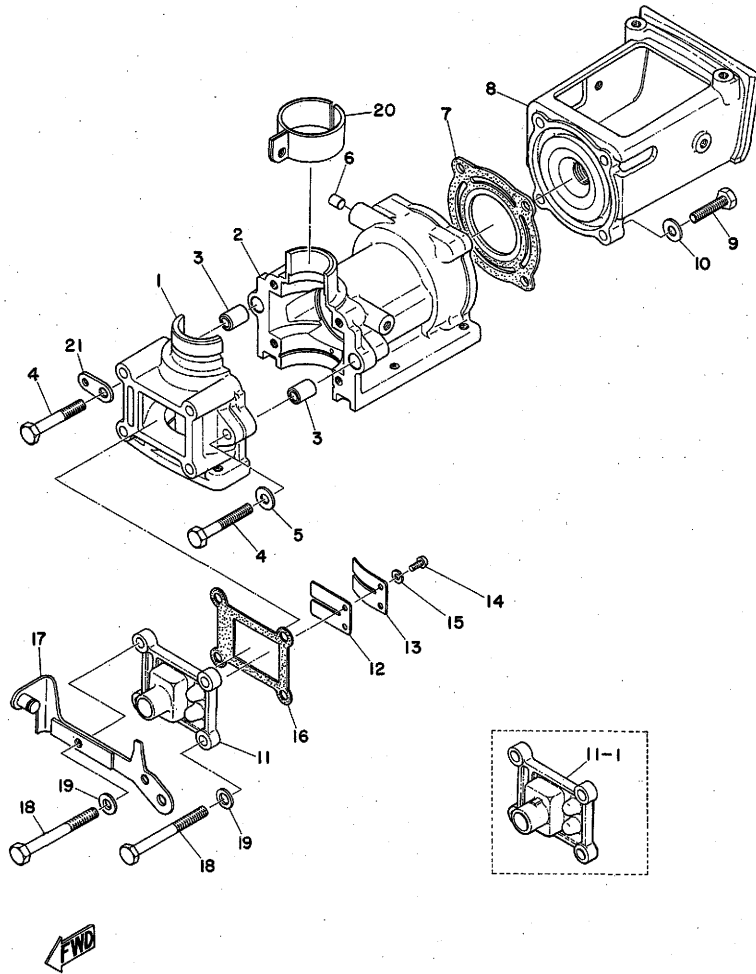
We believe that this introduction will prove a great help to you, but if you have any ambiguous point, please do not hesitate to contact us.

CONTENTS

Fig. 1	Cylinder & Cylinder Head	1
Fig. 2	Crankshaft & Piston	3
Fig. 3	Flywheel Magneto & Starter	5
Fig. 4	Casing & Handle	7
Fig. 5	Bracket	9
Fig. 6	Drive	11
Fig. 7	Cooling	13
Fig. 8	Fuel Tank	15
Fig. 9	Carburetor	17
Fig. 10	Cowling	21
Fig. 11	Choke, Magneto Control & Fuel Cock	23
S.T.D. EQUIPMENT PARTS & ALTERNATE PARTS		
Fig. 12	S. T. D Equipment Parts	27
Fig. 13	Alternate Parts	29

NUMERICAL INDEX

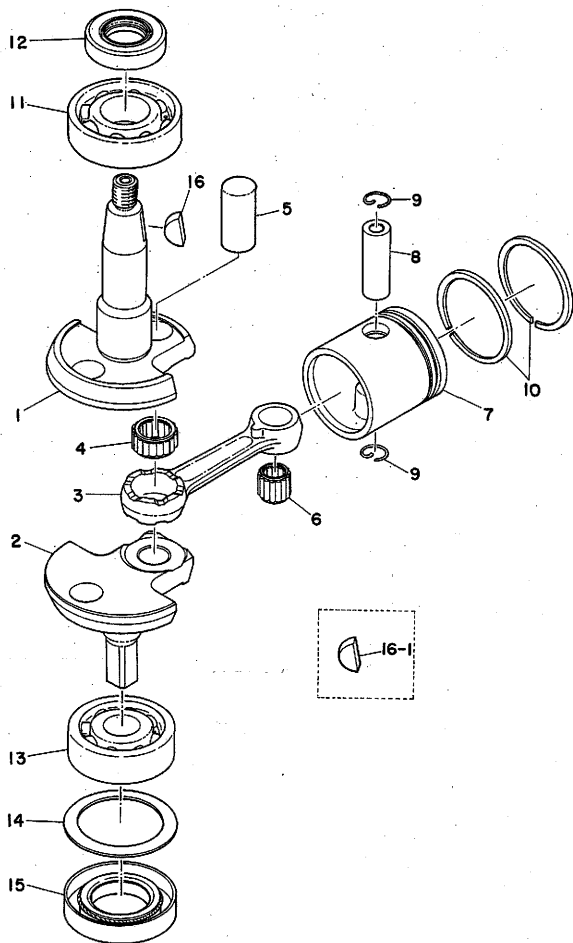
Fig. 1 CYLINDER & CYLINDER HEAD



CYLINDER & CYLINDER HEAD

Ref No.	Parts No.	Parts Name	Description	Q'ty	S-R	Remarks
1- 1	646-15111-00	CASE, crank (1)		1		
1- 2	646-11311-00	CYLINDER (1)		1		
1- 3	91810-03014	PIN, dowel A	8.5-10-14	2		
1- 4	91203-06040	BOLT		2		
1- 5	92903-06200	WASHER, plain		1		
1- 6	646-11313-00	PLUG, blind (1)		1		
1- 7	646-11181-00	GASKET, cylinder head		1		
1- 8	646-11111-00	HEAD, cylinder (1)		1		
1- 9	91290-06025	BOLT		4		
1-10	92990-06200	WASHER, plain		4		
1- 0-1	646-13610-00	LEAD VALVE ASS'Y	(ISO)	1		
1-11	646-13611-00	. SEAT, lead valve (1)	(ISO)	1		△
1-11-1	646-13611-01	. SEAT, lead valve (1)	(ISO)	1		△
1-12	646-13613-00	. LEAD, valve (1)		1		
1-13	646-13616-00	. STOPPER, lead valve (1)		1		
1-14	98503-04008	. SCREW, pan head	(ISO)	2		
1-15	92903-04100	. WASHER, spring		2		
1-16	646-13621-00	PACKING, valve seat		1		
1-17	646-41661-00	BRACKET (1)		1		
1-18	91203-06060	BOLT		4		
1-19	92903-06200	WASHER, plain		4		
1-20	646-41615-00	STOPPER, magneto base (1)		1		
1-21	646-82362-00	CLAMP, cord (2)	(ISO)	1		

Fig. 2 CRANKSHAFT & PISTON

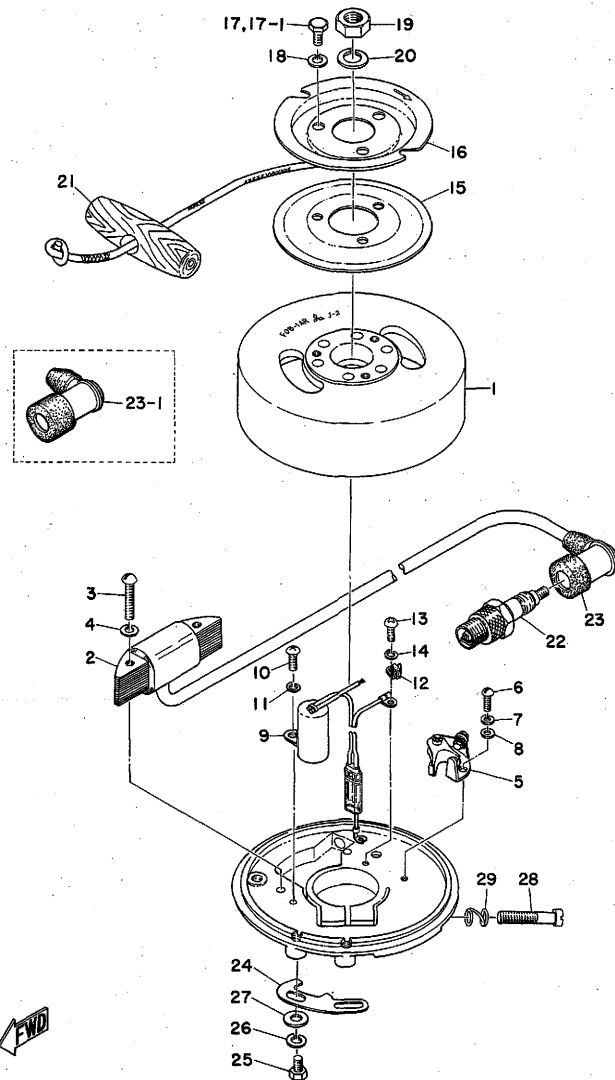


FWD

CRANKSHAFT & PISTON

Ref No.	Parts No.	Parts Name	Description	Q'ty	S-R	Remarks
2- 0-1	646-11400-00	CRANK ASS'Y		1		
2- 1	646-11412-00	. CRANK (1)		1		
2- 2	646-11422-00	. CRANK (2)		1		
2- 3	646-11651-00	. ROD, connecting		1		
2- 4	93310-31439	. BEARING, connecting rod big end		1		
2- 5	646-11681-00	. PIN, crank		1		
2- 6	93310-21038	BEARING, connecting rod small end		1		
2- 7	646-11631-00-97	PISTON (. 97)		1		
	646-11631-00-98	PISTON (. 98)		1	U.R.	
	646-11631-00-99	PISTON (. 99)		1		
	646-11631-00-01	PISTON (. 00)		1		
	646-11631-10	PISTON (1st O.S)	0.25mm	1		
	646-11631-20	PISTON (2nd O.S)	0.25mm	1		
2- 8	646-11633-00	PIN, piston		1		
2- 9	101-11634-00	CLIP, piston pin		2		
2-10	646-11610-00	PISTON RING SET		1s		
	646-11610-10	PISTON RING SET (1st O.S)	0.25mm	1s		
	646-11610-20	PISTON RING SET (2nd O.S)	0.5mm	1s		
2-11	93306-00409	BEARING, ball	6004	1		
2-12	93102-20070	OIL SEAL	SD-20-30-7	1		
2-13	93306-30204	BEARING, ball	6302	1		
2-14	646-15186-00	WASHER, lock		1		
2-15	93101-15041	OIL SEAL	S-15-42-8	1		
2-16	150-11545-00	KEY, woodruff		1		
2-16-1	626-11545-00	KEY, woodruff		1		

Fig. 3 FLYWHEEL MAGNETO & STARTER

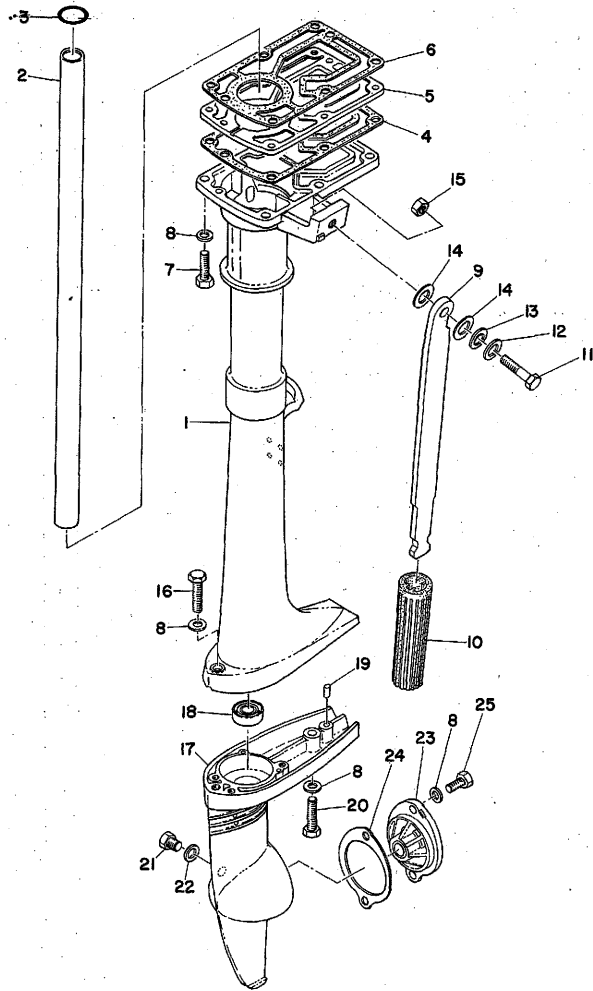


FLYWHEEL MAGNETO & STARTER

Ref No.	Parts No.	Parts Name	Description	Qty	S-R	Remarks
3- 0-1	646-81300-20	FLYWHEEL MAGNETO ASS'Y	(ISO)	1		
3- 1	646-81350-20	. ROTAR ASS'Y		1		
3- 2	646-81311-20	. COIL, ignition		1		
3- 3	619-81345-20	. SCREW, pan head	4-32 (ISO)	2		
3- 4	92901-04100	. WASHER, spring		2		
3- 5	806-81321-20	. CONTACT BREAKER ASS'Y		1		
3- 6	110-81347-20	. SCREW, pan head	4-12 (ISO)	1		
3- 7	92901-04100	. WASHER, spring		1		
3- 8	92901-04200	. WASHER, plain		1		
3- 9	214-81326-20	. CONDENSER		1		
3-10	110-81346-20	. SCREW, pan head	4-10 (ISO)	1		
3-11	92901-04100	. WASHER, spring		1		
3-12	120-81331-20	. LUBRICATOR		1		
3-13	110-81346-20	. SCREW, pan head	4-10 (ISO)	1		
3-14	92901-04100	. WASHER, spring		1		
3-15	646-81362-00	COVER, hole (1)		1		
3-16	646-15723-00	PULLEY, starter		1		
3-17	91203-06020	BOLT		3		
3-18	92903-06100	WASHER, spring		3		
3-19	92803-10100	NUT		1		
3-20	92903-10100	WASHER, spring		1		
3-21	646-15710-00	STARTER ASS'Y		1		
3-22	94700-00003	PLUG, spark	B-7H	1		
3-23	117-82370-20	PLUG CAP ASS'Y		1		
3-23-1	646-82370-00	PLUG CAP ASS'Y		1		
3-24	646-41616-00	STOPPER, magneto base (2)		1		
3-25	91203-06012	BOLT		2		
3-26	92903-06100	WASHER, spring		2		
3-27	92903-06200	WASHER, plain		2		
3-28	92303-06035	SCREW, cylinder head		1		
3-29	646-41614-00	SPRING, magneto friction		1		

YAMAHA MOTOR CO., LTD. (ISO) : SOME OF THE PARTS IN THIS BOOK HAVE ISO-THREADING. PLEASE MAKE SURE TO CONSULT THIS BOOK WHEN ORDERING PARTS FOR THE MOTORCYCLE DESCRIBED HEREIN.

Fig. 4 CASING & HANDLE

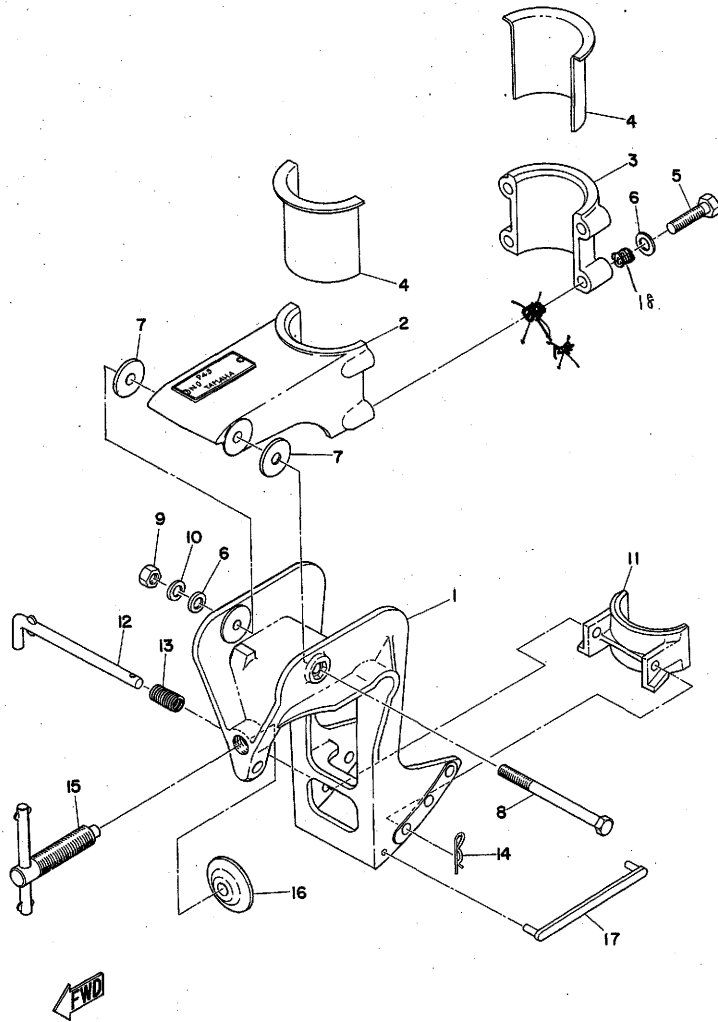


CASING & HANDLE

Ref No.	Parts No.	Parts Name	Description	Qty	S-R	Remarks
4- 1	646-45111- 00 ⁶⁹	CASING, upper		1		22502
4- 2	646-45113-00	GASKET, upper casing (1)		1		
4- 3	93210-18123	O-RING	2.4-19	1		
4- 4	646-14623-00	GASKET, exhaust (2)		1		
4- 5	646-41137-00	GUIDE, exhaust		1		
4- 6	646-14613-00	GASKET, exhaust (1)		1		
4- 7	91290-06025	BOLT		6		
4- 8	92990-06200	WASHER, plain		10		
4- 9	646-42111- 00 ⁶⁹	HANDLE, steering (1)		1		22503
4-10	646-42119-00	GRIP, steering handle		1		
4-11	646-42123-00	BOLT, handle joint	ISO	1		
4-12	92990-08100	WASHER, spring		1		
4-13	92990-08200	WASHER, plain		1		
4-14	615-43673-00	WASHER (1)		2		
4-15	98890-08200	NUT	ISO	1		
4-16	91290-06030	BOLT		1		
4-17	646-45310-00	LOWER CASING ASS'Y	ISO	1		
4-18	93103-11051	OIL SEAL	SW-11-21-8	1		
4-19	93605-15065	PIN, dowel B	5-15	4		
4-20	91290-06028	BOLT		1		
4-21	606-45341-00	PLUG, drain		1		
4-22	604-45342-00	GASKET, drain plug		1		
4-23	646-45360-00	LOWER CASING CAP ASS'Y		1		
4-24	646-45363-00	GASKET, lower casing cap		1		
4-25	91290-06015	BOLT		2		
4-26	646-42591-00	Holder, spare pin		1		22504



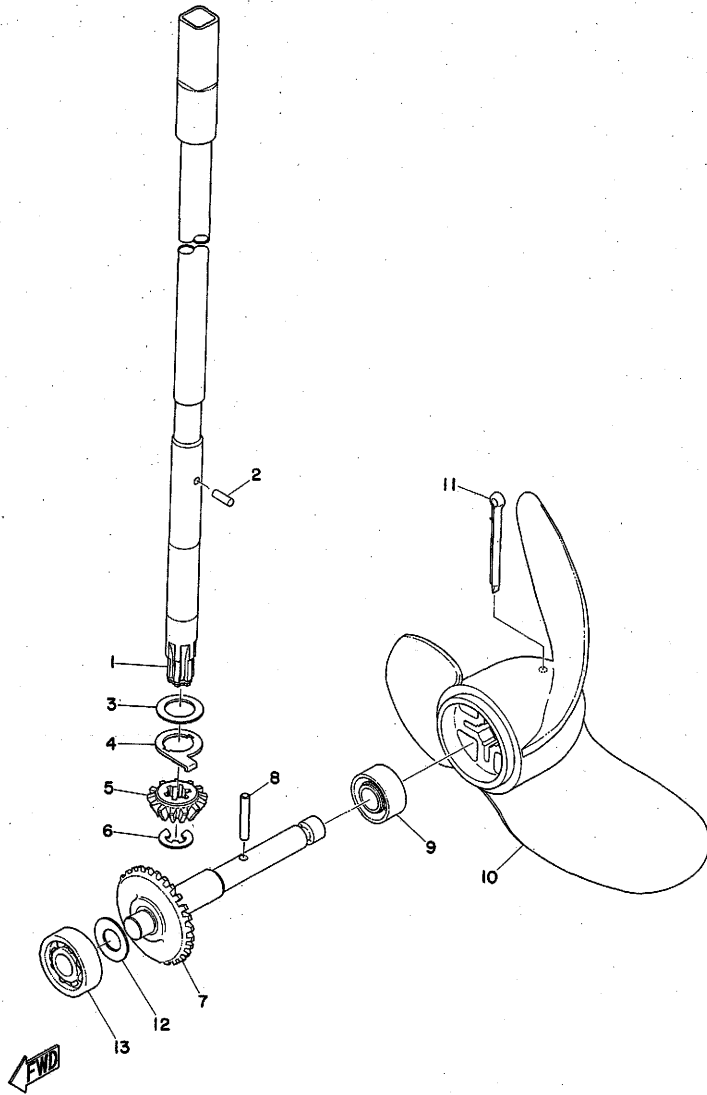
Fig. 5 BRACKET



BRACKET

Ref No.	Parts No.	Parts Name	Description	Q'ty	S-R	Remarks
5- 1	646-43111-00	BRACKET, clamp (1)		1		
5- 2	646-43311-00	BRACKET, swivel (1)		1		2-6-82
5- 3	646- 44012-51 44012-51	BRACKET, swivel (2)		1		
5- 4	646-42537-00	BUSHING, pivot shaft (1)		2		
5- 5	91290-06000	BOLT		4		
5- 6	92990-06200	WASHER, plain		5		
5- 7	646-43132-00	WASHER, friction (1)	6.5-24-1.5	2		
5- 8	91290-06082	BOLT		1		
5- 9	92890-06100	NUT		1		
5-10	92990-06100	WASHER, spring		1		
5-11	646-43351-00	RECEIVER, thrust		1		
5-12	646-43164-00	ROD, tilt lock		1		
5-13	646-43162-00	SPRING, tilt lock rod		1		
5-14	620-43661-00	PIN, hair		1		
5-15	646-43105-00	TRANSOM CLAMP HANDLE ASS'Y		1		
5-16	620-43114-00	PAD, transom clamp		1		
5-17	646-43121-00	PROTECTOR		1		
5-18	646-44012-51	SPRING		4		

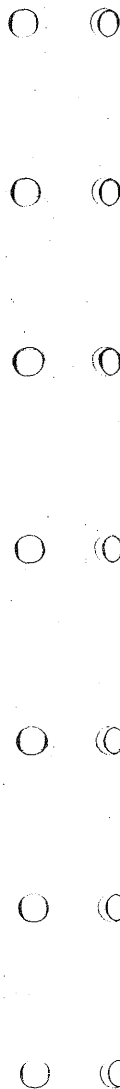
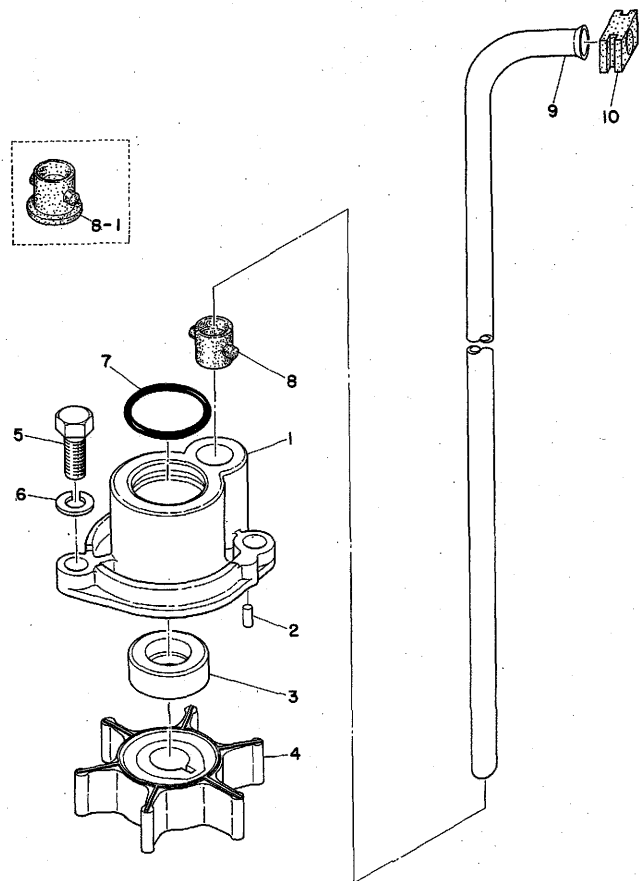
Fig. 6 DRIVE



DRIVE

Ref No.	Parts No.	Parts Name	Description	Qty	S-R	Remarks
6- 1	646-45510-00	DRIVE SHAFT ASS'Y		1		
6- 2	93604-09066	PIN, dowel B	3.5-9	1		
6- 3	646-45534-00-03	THRUST WASHER, drive shaft	11.3-18-0.3	1	U.R.	
	646-45534-00-05	THRUST WASHER, drive shaft (2)	11.3-18-0.5			
6- 4	646-45533-00	THRUST WASHER, drive shaft (2)		1		
6- 5	646-45551-00	PINION		1		
6- 6	93430-06005	CLIP		1		
6- 7	646-45560-00	GEAR (1) ASS'Y		1		
6- 8	646-45615-00	PIN, shear		1		
6- 9	93103-10052	OIL SEAL	SW-10-20-10	1		
6-10	646-45942-00	PROPELLER		1		
6-11	91490-30040	PIN, cotter		1		
6-12	646-45567-00-03	SHIM, gear adjust (1)	10.3-18-0.3	1	U.R.	
	646-45567-00-05	SHIM, gear adjust (1)	10.3-18-0.5			
6-13	93306-00001	BEARING, ball	6000	1		

Fig. 7 COOLING

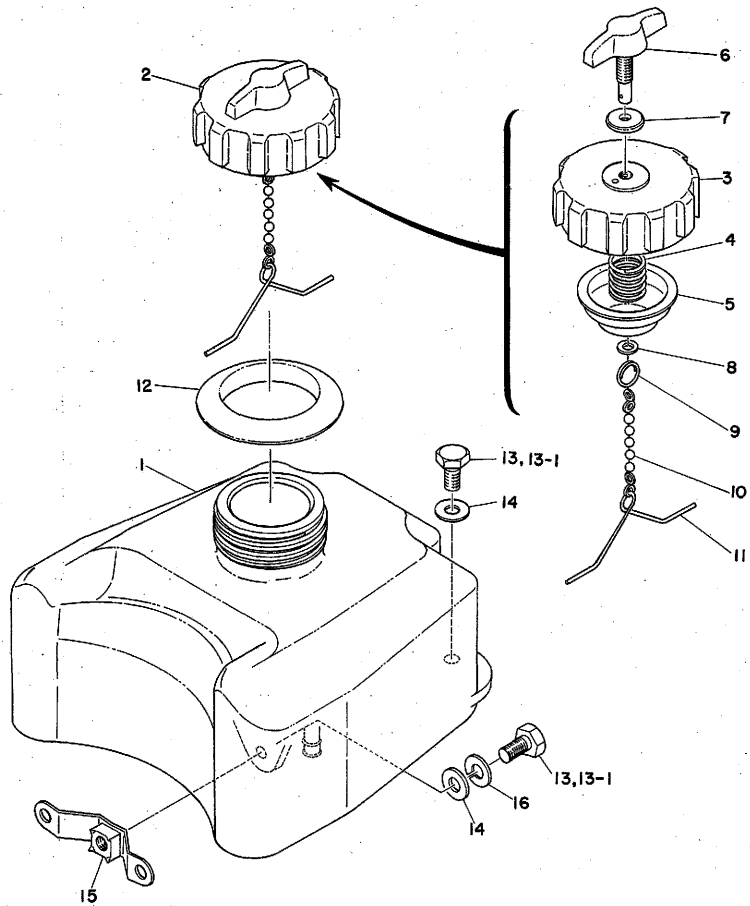


COOLING

Ref No.	Parts No.	Parts Name	Description	Qty	S-R	Remarks
7- 1	646-44312-00	COVER, water pump housing		1		
7- 2	93604-09066	PIN, dowel B	3.5-9	2		
7- 3	93101-11042	OIL SEAL	S-11-21-6	1		
7- 4	646-44352-00	IMPELLER		1		
7- 5	97290-05015	BOLT	ISO	2		
7- 6	92990-05100	WASHER, spring		2		
7- 7	93210-19123	O-RING	2.4-19	1		
7- 8	646-44366-00	RUBBER, water seal (2)		1		
7- 8-1	646-44366-01	RUBBER, water seal (2)		1		
7- 9	646-44361-00	TUBE, water (1)		1		
7-10	646-44365-00	RUBBER, water seal (1)		1		
7-11	646-44323-00	OUTER PLATE, cartridge		1		



Fig. 8 FUEL TANK

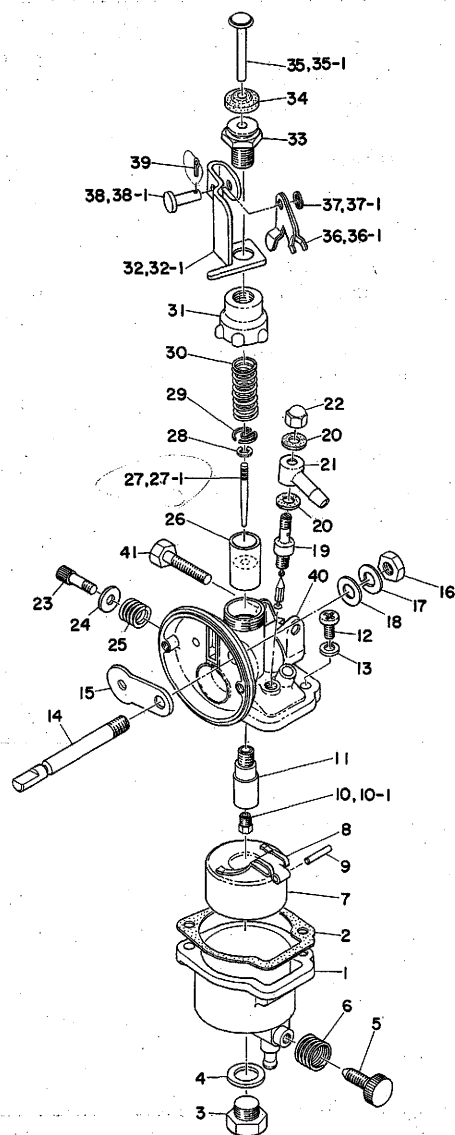


FWD

FUEL TANK

Ref No.	Parts No.	Parts Name	Description	Q'ty	S-R	Remarks
8- 1	646-24110-00	FUEL TANK COMP.		1		
8- 2	646-24610-00	CAP ASS'Y		1		
8- 3	646-24611-00	. BODY, cap		1		△
8- 4	646-24635-00	. SPRING, safety		1		
8- 5	646-24612-00	. PACKING, cap		1		
8- 6	646-24631-00	. SCREW, air		1		
8- 7	611-24632-00	. GASKET, air screw		1		
8- 8	92990-04200	. WASHER, plain		1		
8- 9	615-24635-00	. SPRING, safety		1		
8-10	624-24633-00	. CHAIN, ball		1		
8-11	624-24634-00	. HOOK, ball chain		1		
8-12	646-24198-00	SEAT, rubber		1		
8-13	91203-06012	BOLT		3		
8-13-1	91203-06015	BOLT		3		
8-14	92903-06200	WASHER, plain		3		
8-15	646-24191-00	BRACKET, fuel tank (1)		1		
8-16	92903-06100	WASHER, spring		3		

Fig. 9 CARBURETOR

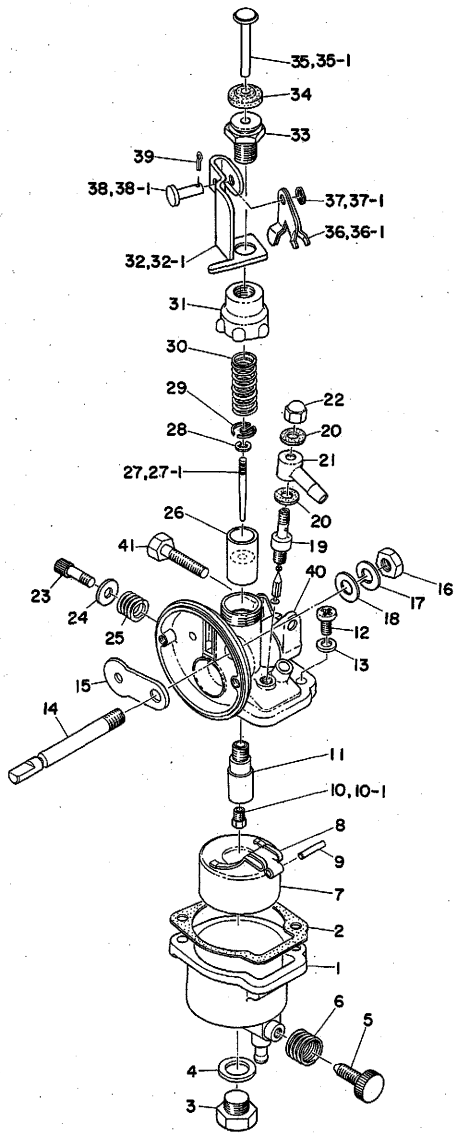


CARBURETOR

Ref No.	Parts No.	Parts Name	Description	Q'ty	S · R	Remarks
9- 0-1	646-14301-00	CARBURETOR ASS'Y	(ISO)	1		
9- 0-2	646-13301-01	CARBURETOR ASS'Y		1		
9- 0-3	646-14301-02	CARBURETOR ASS'Y		1		
9- 1	646-14381-00	. BODY, float chamber	(ISO)	1		
9- 2	646-14384-00	. GASKET, float chamber		1		
9- 3	622-24481-00	. PLUG		1		
9- 4	622-24482-00	. PACKING (1)		1		
9- 5	646-14222-00	. VALVE, drain		1		
9- 6	646-14223-00	. SPRING, drain valve		1		
9- 7	646-14385-00	. FLOAT		1		
9- 8	646-14387-00	. ARM, float		1		
9- 9	646-14386-00	. PIN, float		1		
9-10	646-14343-00	. JET, main		1		
9-10-1	646-14343-01	. JET, main		1		
9-11	646-14341-00	. NOZZLE, main		1		
9-12	98501-04010	. SCREW, pan head	(ISO)	2		
9-13	92990-04100	. WASHER, spring		2		
9-14	646-14448-00	. LEVER, choke valve		1		
9-15	646-14217-00	. VALVE, choke		1		
9-16	646-14358-00	. NUT		1		
9-17	646-14356-00	. WASHER, spring		1		
9-18	646-14357-00	. WASHER, plain		1		
9-19	646-14390-00	. VALVE SEAT ASS'Y		1		
9-20	801-24437-00	. GASKET		2		
9-21	646-14167-00	. CONNECTOR		1		
9-22	646-14393-00	. NUT, crown		1		
9-23	646-14211-00	. SCREW, pilot adjusting		1		
9-24	646-14219-00	. WASHER, pilot adjusting		1		
9-25	646-14212-00	. SPRING, pilot adjusting		1		
9-26	646-14312-00	. VALVE, throttle		1		
9-27	646-14116-00	. NEEDLE		1		
9-27-1	646-14116-01	. NEEDLE		1		
9-28	646-14137-00	. CLIP		1		
9-29	646-14136-00	. SEAT, spring		1		
9-30	646-14331-00	. SPRING, throttle valve		1		
9-31	646-14158-00	. TOP, mixing chamber		1		
9-32	646-14497-00	. STAY, throttle wire		1		
9-32-1	646-14497-01	. STAY, throttle wire		1		

(ISO) : SOME OF THE PARTS IN THIS BOOK HAVE ISO-THREADING. PLEASE MAKE SURE TO CONSULT THIS BOOK WHEN ORDERING PARTS FOR THE MOTORCYCLE DESCRIBED HEREIN.

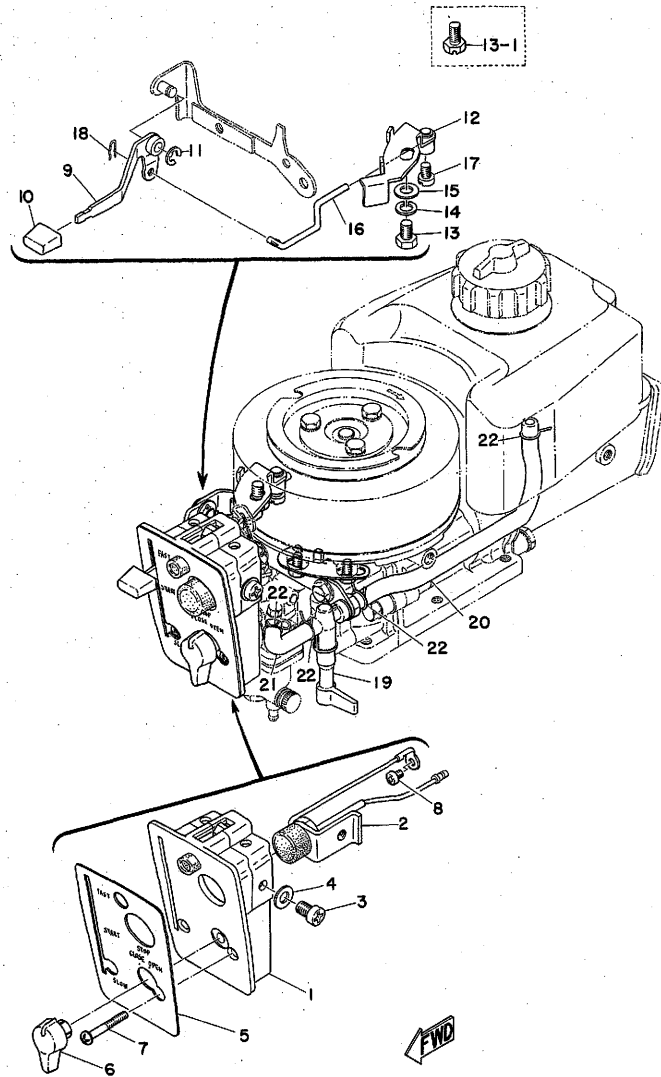
Fig. 9 CARBURETOR



CARBURETOR

Ref No.	Parts No.	Parts Name	Description	Q'ty	S-R	Remarks
9-33	646-14321-00	. SCREW, throttle		1		
9-34	646-14169-00	. CAP		1		
9-35	646-14314-00	. BAR, throttle		1		
9-35-1	646-14314-01	. BAR, throttle		1		
9-36	646-14315-00	. LEVER, throttle (1)		1		
9-36-1	646-14315-01	. LEVER, throttle (1)		1		
9-37	646-14366-00	. WASHER, wave		1		
9-37-1	646-14366-01	. WASHER, wave		1		
9-38	646-14365-00	. PIN, clevis		1		
9-38-1	646-14365-01	. PIN, clevis		1		
9-39	91490-12008	. PIN, cotter		1		
9-40	646-14127-00	. CLIP, outlet	(ISO)	1		
9-41	646-14125-00	. SCREW, body fitting	(ISO)	1		

Fig. 11 CHOKE, MAGNETO CONTROL & FUEL COCK



CHOKE, MAGNETO CONTROL & FUEL COCK

Ref No.	Parts No.	Parts Name	Description	Q'ty	S-R	Remarks
11- 1	646-14440-00	SILENCER ASS'Y	(ISO)	1		
11- 2	646-82550-00	STOP SWITCH ASS'Y		1		
11- 3	92503-06010	SCREW, pan head		1		
11- 4	92903-06200	WASHER, plain		1		
11- 5	646-42681-00	MARK, cowling (1)		1		
11- 6	646-41271-00	KNOB, choke		1		
11- 7	98690-04030	SCREW, oval head	(ISO)	2		
11- 8	98503-04005	SCREW, pan head		1		
11- 9	646-41631-00	LEVER, magneto control (1)		1		
11-10	646-41637-00	KNOB, magneto control		1		
11-11	93430-04003	CIRCLIP		1		
11-12	646-41210-00	ACCELERATOR ARM ASS'Y		1		
11-13	91203-06010	BOLT		1		
11-13-1	615-43376-00	BOLT, thrust receiver		1		
11-14	92903-06100	WASHER, spring		1		
11-15	92903-06200	WASHER, plain		1		
11-16	646-41636-00	ROD, magneto control		1		
11-17	98303-05008	SCREW, cylinder head	(ISO)	1		
11-18	626-41236-00	PIN, hair (2)		1		
11-19	646-24500-00	FUEL COCK ASS'Y		1		
11-20	646-24312-00	PIPE (2)		1		
11-21	646-24311-00	PIPE (1)		1		
11-22	616-24356-00	CLIP, pipe (1)		4		

○ ○

○ ○ S. T. D. EQUIPMENT PARTS &
ALTERNATE PARTS

○ ○

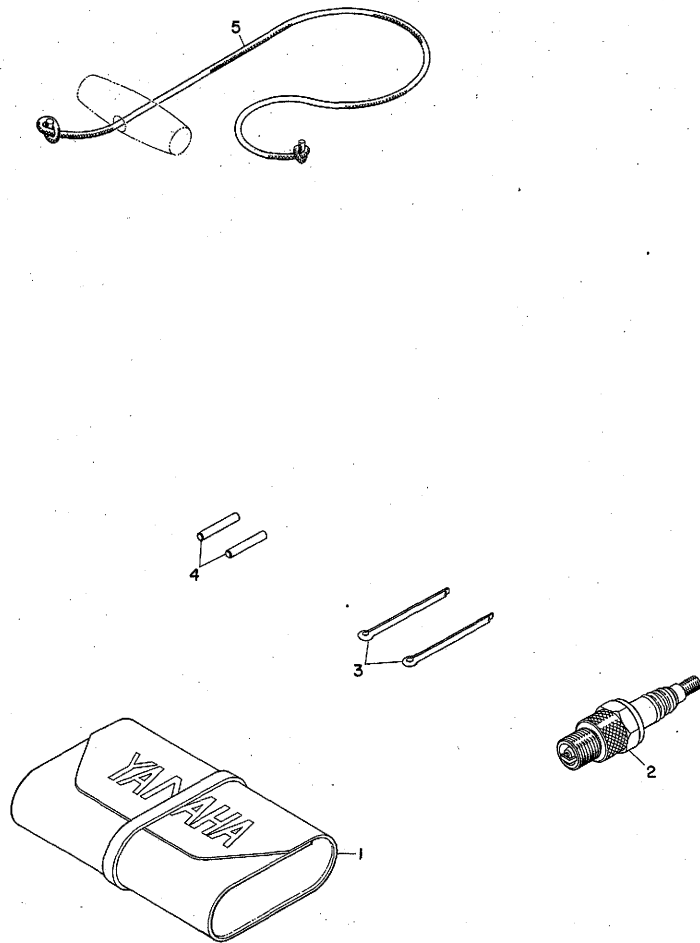
○ ○

○ ○

○ ○

○ ○

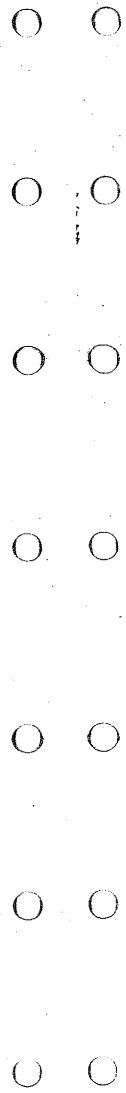
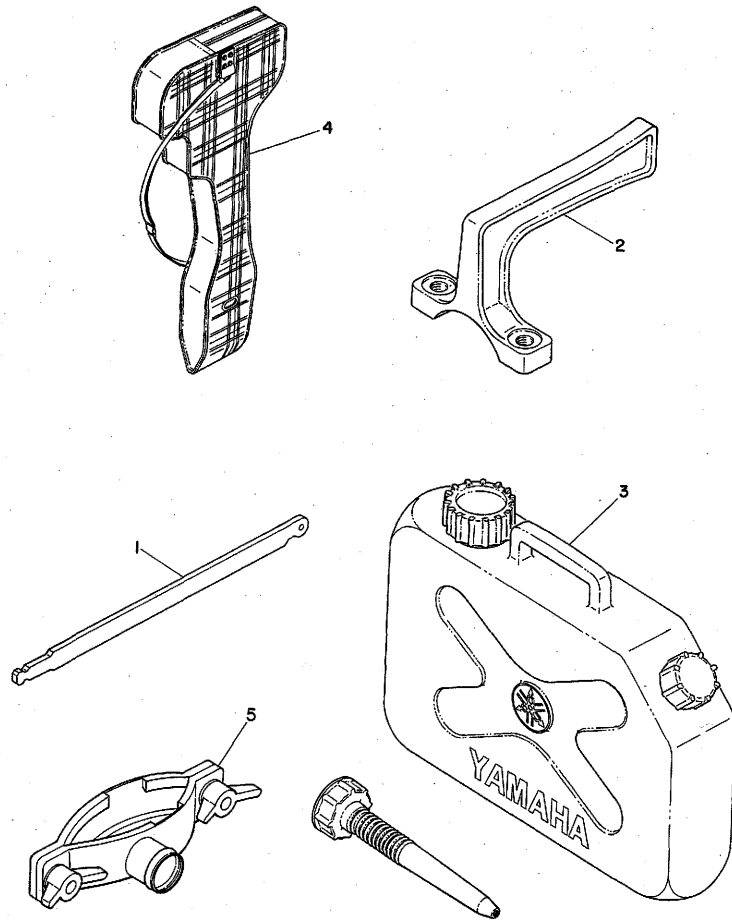
Fig. 12 S. T. D. EQUIPMENT PARTS



S. T. D. EQUIPMENT PARTS

Ref No.	Parts No.	Parts Name	Description	Q'ty	S-R	Remarks
12- 1	646-28100-00	TOOL ASS'Y		1s		☆
12- 2	94700-00003	PLUG, spark	B-7H	1		
12- 3	91490-30040	PIN, cotter		2		
12- 4	646-45615-00	PIN, shear		2		
12- 5	646-15781-00	ROPE		1		

Fig. 13 ALTERNATE PARTS



ALTERNATE PARTS

Ref No.	Parts No.	Parts Name	Description	Qty	S-R	Remarks
13- 1	646-42112-00	HANDLE steering		1		
13- 2	646-42121-00	BRACKET		1		
13- 3	802-24200-00	FUEL TANK ASS'Y		1		
13- 4	646-77980-00	MOTOR CASE ASS'Y		1		
13- 5	646-28193-00	PLUG, water check		1		

YAMAHA GREASE & BOND

Parts Name	Capacity	Remarks
YAMAHA GREASE (X all)	50g/1 tube	For Link section
YAMAHA GREASE No. 2	10cc/1 tube	For Engine
YAMAHA BOND No. 2	100g/1 tube	For Gasket
YAMAHA BOND No. 5	100g/1 tube	For Crank case
YAMAHA BOND No. 7	100g/1 tube	For Cylinder head

NUMERICAL INDEX



NUMERICAL INDEX

Ref No.	Parts No.	Ref No.	Parts No.	Ref No.	Parts No.
2- 9	101-11634-00	2- 7	646-11631-10	9-10-1	646-14343-01
3-10	110-81346-20	2- 7	646-11631-20	9-17	646-14356-00
3-13	110-81346-20	2- 8	646-11633-00	9-18	646-14357-00
3- 6	110-81347-20	2- 3	646-11651-00	9-16	646-14358-00
3-23	117-82370-20	2- 5	646-11681-00	9-38	646-14365-00
3-12	120-81331-20	1- 0-1	646-13610-00	9-38-1	646-14365-01
2-16	150-11545-00	1-11	646-13611-00	9-37	646-14366-00
3- 9	214-81326-20	1-11-1	646-13611-01	9-37-1	646-14366-01
4-22	604-45341-00	1-12	646-13613-00	9- 1	646-14381-00
4-21	606-45341-00	1-13	646-13616-00	9- 2	646-14384-00
8- 7	611-24632-00	1-16	646-13621-00	9- 7	646-14385-00
8- 9	615-24635-00	9-27	646-14116-00	9- 9	646-14386-00
11-13-1	615-43376-00	9-27-1	646-14116-01	9- 8	646-14387-00
4-14	615-43673-00	9-41	646-14125-00	9-19	646-14390-00
11-22	616-24356-00	9-40	646-14127-00	9-22	646-14393-00
3- 3	619-81345-20	9-29	646-14136-00	9-14	646-14448-00
5-16	620-43114-00	9-28	646-14137-00	9-32	646-14497-00
5-14	620-43661-00	9-31	646-14158-00	9-32-1	646-14497-01
9- 3	622-24481-00	9-21	646-14167-00	11- 1	646-14440-00
9- 4	622-24482-00	9-34	646-14169-00	4- 4	646-14623-00
8-10	624-24633-00	9-23	646-14211-00	4- 6	646-14613-00
8-11	624-24634-00	9-25	646-14212-00	1- 1	646-15111-00
2-16-1	626-11545-00	9-15	646-14217-00	2-14	646-15186-00
11-18	626-41236-00	9-24	646-14219-00	3-21	646-15710-00
1- 8	646-11111-00	9- 5	646-14222-00	10-13	646-15712-00
1- 7	646-11181-00	9- 6	646-14223-00	3-16	646-15723-00
1- 2	646-11311-00	9- 0-1	646-14301-00	8- 1	646-24110-00
1- 6	646-11313-00	9- 0-2	646-14301-01	10-16	646-24153-00
2- 0-1	646-11400-00	9- 0-3	646-14301-02	8-15	646-24191-00
2- 1	646-11412-00	9-26	646-14312-00	8-12	646-24198-00
2- 2	646-11422-00	9-35	646-14314-00	11-21	646-24311-00
2-10	646-11610-00	9-35-1	646-14314-01	11-20	646-24312-00
2-10	646-11610-10	9-36	646-14315-00	11-19	646-24500-00
2-10	646-11610-20	9-36-1	646-14315-01	8- 2	646-24610-00
2-10	646-11631-00-01	9-33	646-14321-00	8- 3	646-24611-00
2- 7	646-11631-00-97	9-30	646-14331-00	8- 5	646-24612-00
2- 7	646-11631-00-98	9-11	646-14341-00	8- 6	646-24631-00
2- 7	646-11631-00-99	9-10	646-14343-00	8- 4	646-24635-00

NUMERICAL INDEX

Ref No.	Parts No.	Ref No.	Parts No.	Ref No.	Parts No.
13- 5	646-28193-00	7- 8-1	646-44366-01	4- 7	91290-06025
4- 5	646-41137-00	4- 1	646-45111-00	5- 8	91290-06082
11-12	646-41210-00	4- 2	646-45113-00	9-39	91490-12008
11- 6	646-41271-00	4-17	646-45310-00	6-11	91490-30040
3-29	646-41614-00	4-23	646-45360-00	1- 3	91810-03014
1-20	646-41615-00	4-24	646-45363-00	3-28	92303-06035
3-24	646-41616-00	6- 1	646-45510-00	11- 3	92503-06010
11- 9	646-41631-00	6- 4	646-45533-00	10-10	92590-06015
11-16	646-41636-00	6- 3	646-45534-00-03	10-11	92590-06030
11-10	646-41637-00	6- 3	646-45534-00-05	3-19	92803-10100
1-17	646-41661-00	6- 5	646-45551-00	5- 9	92890-06100
4- 9	646-42111-00	6- 7	646-45560-00	3- 4	92901-04100
4-10	646-42119-00	6-12	646-45567-00-03	3- 7	92901-04100
4-11	646-42123-00	6- 3	646-45615-00	3-11	92901-04100
5- 4	646-42537-00	6-12	646-45567-00-05	3-14	92901-04100
10- 3	646-42675-00	6-10	646-45942-00	3- 8	92901-04200
10- 4	646-42676-00	3- 0-1	646-81300-20	1-15	92903-04100
11- 5	646-42681-00	3- 2	646-81311-20	3-18	92903-06100
10- 1	646-42711-00	3- 1	646-81350-20	3-26	92903-06100
10- 5	646-42743-00	3-15	646-81362-00	8-16	92903-06100
10-15	646-42754-00	1-21	646-82362-00	11-14	92903-06100
10-14	646-42766-00	3-23-1	646-82370-00	1- 5	92903-06200
10- 2	646-42771-00	11- 2	646-82550-00	1-19	92903-06200
5-15	646-43105-00	9-20	801-24437-00	3-27	92903-06200
5- 1	646-43111-00	3- 5	806-81321-20	8-14	92903-06200
5-17	646-43121-00	3-17	91203-06010	11- 4	92903-06200
5- 7	646-43132-00	11-13	91203-06010	11-15	92903-06200
5-13	646-43162-00	3-25	91203-06012	3-20	92903-10100
5-12	646-43164-00	8-13	91203-06012	9-13	92990-04100
5- 2	646-43311-00	8-13-1	91203-06015	8- 8	92990-04200
5- 3	646-43312-00	3-17-1	91203-06020	7- 6	92990-05100
5-11	646-43351-00	1- 4	91203-06040	10- 9	92990-05200
7- 1	646-44312-00	1-18	91203-06060	5-10	92990-06100
7-11	646-44323-00	4-25	91290-06015	1-10	92990-06200
7- 4	646-44352-00	4-20	91290-06028	4- 8	92990-06200
7- 9	646-44361-00	4-16	91290-06030	5- 6	92990-06200
7-10	646-44365-00	5- 5	91290-06030	10-12	92990-06200
7- 8	646-44366-00	1- 9	91290-06025	4-12	92990-08100

NUMERICAL INDEX

Ref No.	Parts No.	Ref No.	Parts No.	Ref No.	Parts No.
4-13	92990-08200				
7- 3	93101-11042				
2-15	92101-15041				
2-12	93102-20070				
6- 9	93103-10052				
4-18	93103-11051				
4- 3	93210-19123				
7- 7	93210-19123				
6-13	93306-00001				
2-11	93306-00409				
2-13	93306-30204				
2- 6	93310-21038				
2- 4	93310-31439				
11-11	93430-04003				
6- 6	93430-06005				
6- 2	93604-09066				
4-19	93605-15065				
7- 2	93604-09066				
3-22	94700-00003				
7- 5	97290-05015				
11-17	98303-05008				
9-12	98501-04010				
11- 8	98501-04005				
1-14	98503-04008				
10- 8	98590-05010				
10- 8-1	98590-05012				
11- 7	98590-04030				
10- 6	98690-05010				
10- 7	98690-05015				
4-15	98890-08200				

First edition, June, '69
Second edition, Feb., '70

YAMAHA P-45 PARTS LIST

YAMAHA MOTOR CO., LTD.
HAMAKITA JAPAN